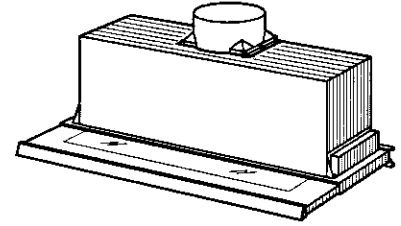


U102I SERIES RANGE HOODS



Slim-line design provides strong, effective ventilation and cooktop lighting unobtrusively.

FEATURES

- Italian design
- Cabinet mount
- Finish: 304 Stainless Steel #4 Brushed, White & Black
- Black Glass Control Panel
- Width: 30" & 36"
- 8" round duct connector/backdraft damper
- Halogen lighting (2 x 20 watt, Type JC 12V 20W G4 Base - bulbs included) with multilevels from bright cooktop illumination to a low nighttime setting
- Advanced, electronic push-button controls
- Quiet, variable-speed centrifugal blower with high-efficiency motor produces 500 cfm of exhaust
- Four-speed motor controls
- Delay timer control automatically shuts off range hood after ten minutes
- Special control indicates when it's time to clean the filter
- Can be ducted to the outside or non-ducted for indoor recirculation (purchase recirculation kit separately)
- Dishwasher-safe filter features a quick-release latch and decorative cover plate
- Heat Sentry™ - automatically turns blower to high speed when excess cooking heat is detected
- Pull out visor with clear glass panel

OPTIONS

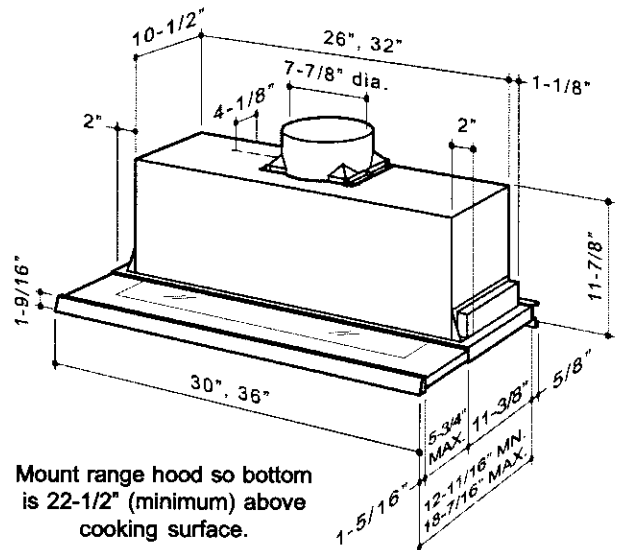
- Replacement grease filters available
- Non-ducted recirculation kit (Model ANKU10)
- Replacement charcoal filters available (Model ROUND FILTER)
- Exterior blower (U102E Series) available, providing 600, 900, 1200, or 1500 cfm exhaust
- Replacement bulb (Part No. SB02300891)

SPECIFICATIONS

VOLTS	AMPS	CFM	SONES	DUCT
120	3.13	500	10.0	8" round



HVI-2100 CERTIFIED RATINGS comply with new testing technologies and procedures prescribed by the Home Ventilating Institute, for off-the-shelf products, as they are available to consumers. Product performance is rated at 0.1 in. static pressure, based on tests conducted in AMCA's state-of-the-art test laboratory. Sones are a measure of humanly-perceived loudness, based on laboratory measurements.



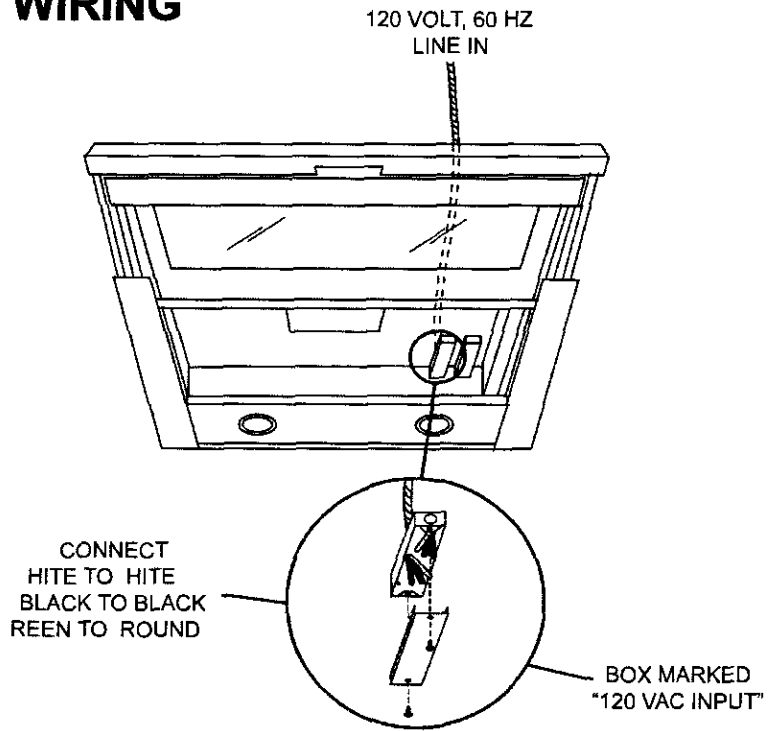
Mount range hood so bottom is 22-1/2" (minimum) above cooking surface.



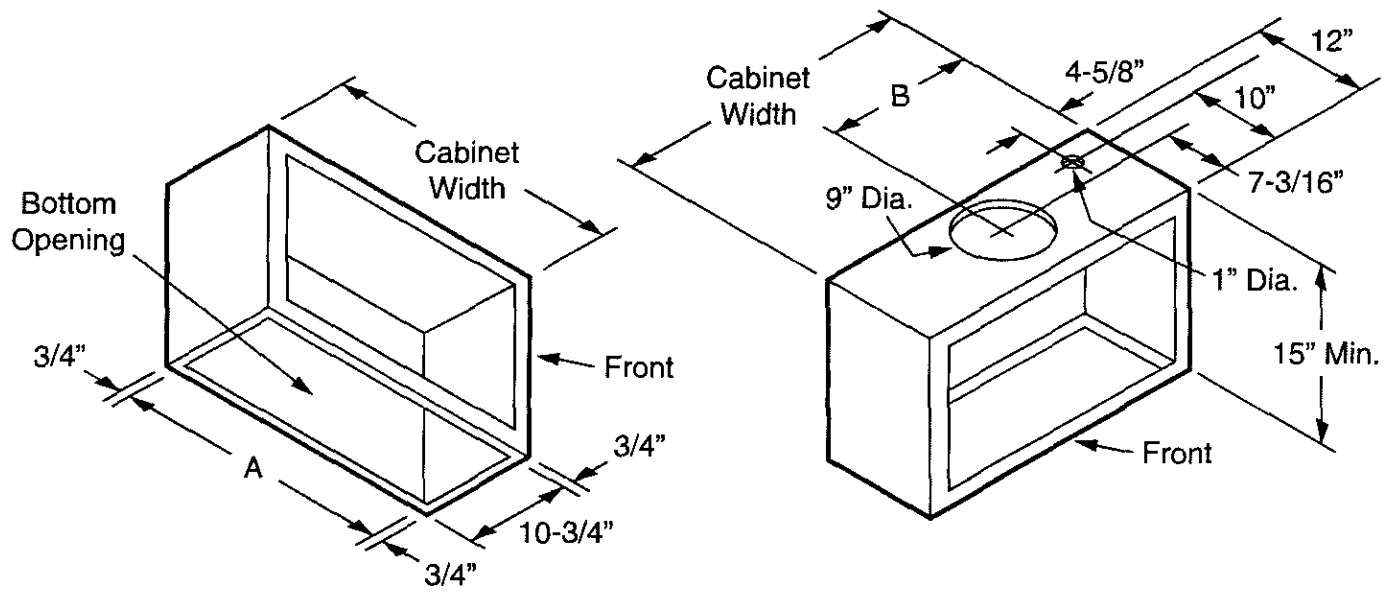
BEST BY BROAN P.O. BOX 140 HARTFORD, WISCONSIN 53027

REFERENCE	QTY.	REMARKS	Project
			Location
			Architect
			Engineer
			Contractor
			Submitted by Date

U102I SERIES WIRING



U102I SERIES MOUNTING



Cabinet Width	"A"	"B"
30"	28-1/2"	15"
36"	34-1/2"	18"



BEST BY BROAN P.O. BOX 140 HARTFORD, WISCONSIN 53027